



# HGS (INDIA) LIMITED

## HGS-5515 Male & Female screw fit connectors

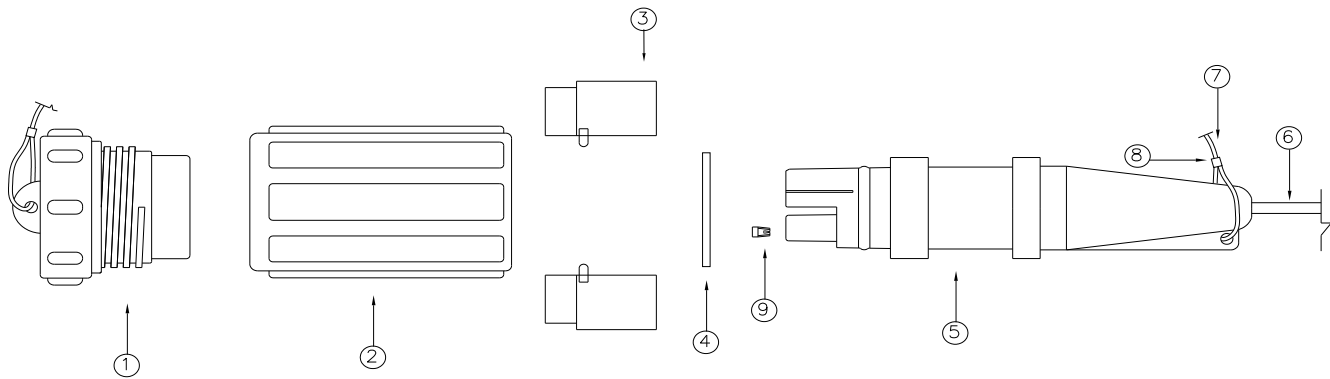


158, Sector-4, IMT Manesar, Gurgaon-122050 Haryana INDIA  
Tel: +91 (0124) 4681800, Fax: +91 (0124) 4681845  
Email: [sales@hgsindia.com](mailto:sales@hgsindia.com)



# HGS (INDIA) LIMITED

## SCHEMATIC



SR. NO.	DESCRIPTION	QTY.
1	FEMALE DUST CAP	1
2	COUPLING RING	1
3	STOPPER	1
4	CIRCLIP	1
5	HGS-5515M SCREW FIT CONN. BODY	1
6	LEADER CABLE	As reqd.
7	INSULATED WIRE ROPE	30cm
8	CRIMP SLEEVE	2
9	MILL-MAX #08	1

## HGS-5515 Male Screw fit connector



# HGS (INDIA) LIMITED

## SPECIFICATIONS

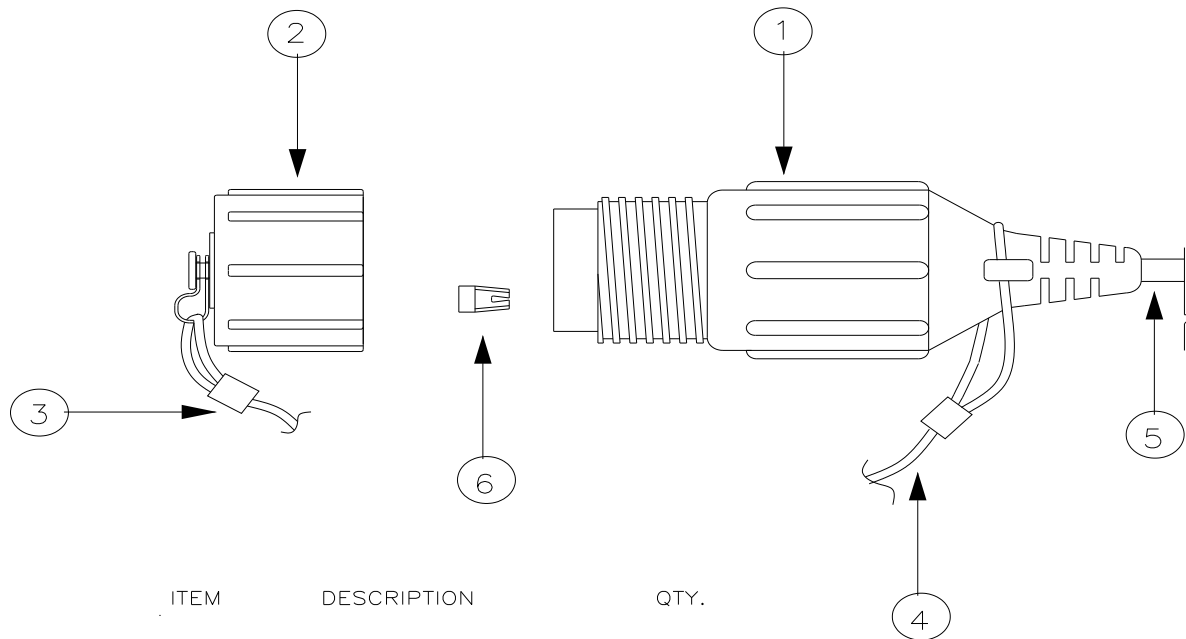
### HGS-5515 Male Screw fit connector

- Connector with 1 set of male & female contacts
- Impact Resistant Material.
- Moulded on 4.57, 5.33 or 6.35 mm cable
- Male end connector with coupling ring assures mating with its counterpart
- Water proof for marsh environment
- Gold plated pins & sockets assure positive electrical connections
- Screw fit mating
- Maximum strength in rugged field condition
- Fitted with dust cap
- Operating Temperature Range: -20°C to +70°C
- Pressure Rating: Up to 5 bar



# HGS (INDIA) LIMITED

## SCHEMATIC



ITEM	DESCRIPTION	QTY.
1	CONN. BODY SUB ASSY.	1
2	DUST CAP	1
3	CRIMP SLEEVE	2
4	INSULATED WIRE ROPE	25cm
5	LEADER CABLE	As reqd.
6	MILL-MAX#08	1

## HGS-5515 Female Screw fit connector

158, Sector-4, IMT Manesar, Gurgaon-122050 Haryana INDIA  
Tel: +91 (0124) 4681800, Fax: +91 (0124) 4681845  
Email: sales@hgsindia.com



# HGS (INDIA) LIMITED

## SPECIFICATIONS

### HGS-5515 Female Screw fit connector

- Connector with 1 set of male & female contacts
- Impact Resistant Material
- Moulded on 4.57, 5.33 or 6.35 mm cable
- Female end connector with thread assures mating with its counterpart's coupling ring
- Water proof for marsh environment
- Gold plated pins & sockets assure positive electrical connections
- Screw fit mating
- Maximum strength in rugged field condition
- Fitted with dust cap
- Operating Temperature Range: -20°C to +70°C
- Pressure Rating: Up to 5 bar