



HGS (INDIA) LIMITED

HGS-5515 Male & Female push fit connectors

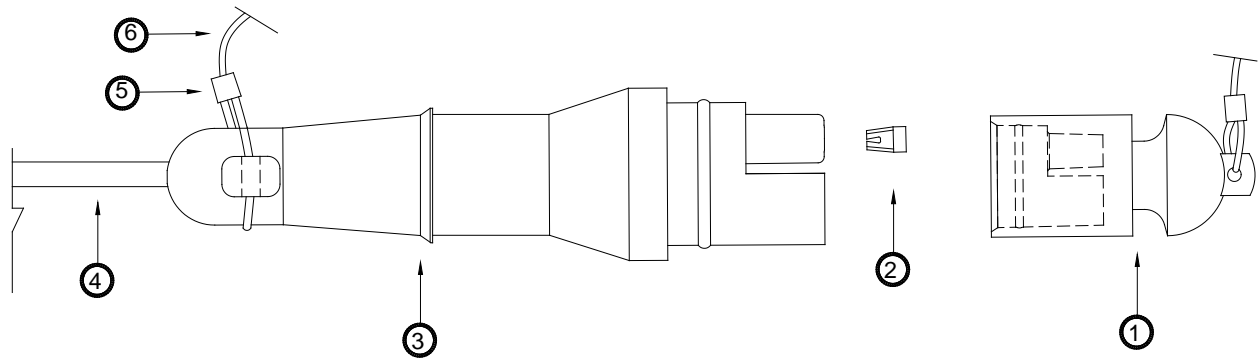


Plot No- 158, Sector- 4, IMT Manesar, Gurgaon, Haryana- 122050 (INDIA)
Tel: +91(0124) 4681800, Fax: +91(0124) 4681845
email:sales@hgsindia.com



HGS (INDIA) LIMITED

SCHEMATIC



| SR. NO. | DESCRIPTION | QTY. |
|---------|------------------------------------|----------|
| 1 | DUST CAP (HGS-5515) | 1 |
| 2 | MILL-MAX #08 | 1 |
| 3 | CONN. BODY SUB ASSY.(HGS-5515M RC) | 1 |
| 4 | CABLE | As reqd. |
| 5 | CRIMP SLEEVE | 2 |
| 6 | INSULATED WIRE ROPE | 30CM |

HGS-5515 Male push fit connector



HGS (INDIA) LIMITED

SPECIFICATIONS

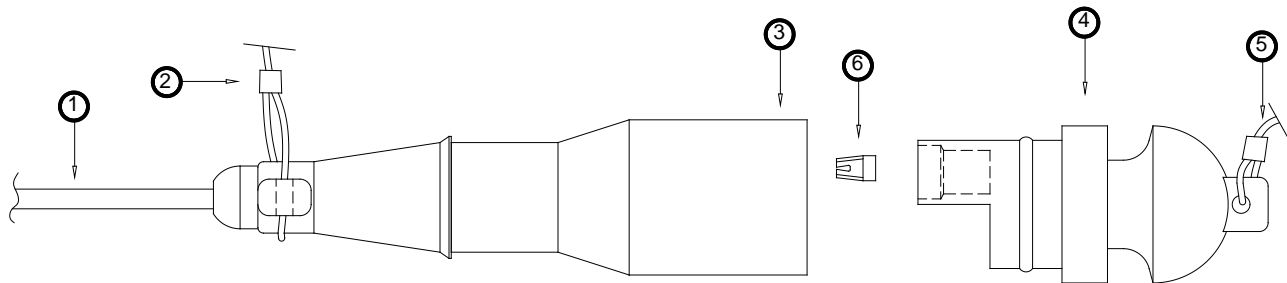
HGS-5515 Male push fit connector

- Connector with 1 set of male & female contacts
- Impact Resistant Material. Can be provided for cold weather use.
- Moulded on 4.57, 5.33 or 6.35 mm cable
- Water proof for marsh environment
- Gold plated pins & sockets assure positive electrical connections
- Push-pull fit
- Maximum strength in rugged field condition
- Fitted with female dust cap
- Specific configuration to customer specifications
- Operating Temperature Range: -20°C to +70°C
- Pressure Rating: Up to 3 bar



HGS (INDIA) LIMITED

SCHEMATIC



| SR. NO. | DESCRIPTION | QTY. |
|---------|-----------------------------|----------|
| 1 | LEADER CABLE | as reqd. |
| 2 | CRIMP SLEEVE | 2 |
| 3 | CONN. BODY FEMALE SUB ASSY. | 1 |
| 4 | MALE DUST CAP (HGS-5515) | 1 |
| 5 | INSULATED WIRE ROPE | 30.5cm |
| 6 | MILL-MAX#08 | 1 |

HGS-5515 Female push fit connector

Plot No- 158, Sector- 4, IMT Manesar, Gurgaon, Haryana- 122050 (INDIA)
Tel: +91(0124) 4681800, Fax: +91(0124) 4681845
email:sales@hgsindia.com



HGS (INDIA) LIMITED

SPECIFICATIONS

HGS-5515 Female push fit connector

- Connector with 1 set of male & female contacts
- Impact Resistant Material. Can be provided for cold weather use.
- Moulded on 4.57, 5.33 or 6.35 mm cable
- Fitted with male dust cap
- Push-pull fit
- Maximum strength in rugged field conditions
- Water proof for marsh environment
- Gold plated pins & sockets assure positive electrical connections
- Specific configuration to customer specifications
- Operating Temperature Range: -20°C to +70°C
- Pressure Rating: Up to 3 bar