



HGS (INDIA) LIMITED



Panel Mount 18 Pin Female Power Connector



158, Sector-4, IMT Manesar, Gurugram-122050, Haryana, INDIA
Tel: +91 (0124) 4681800
Email: sales@hgsindia.com

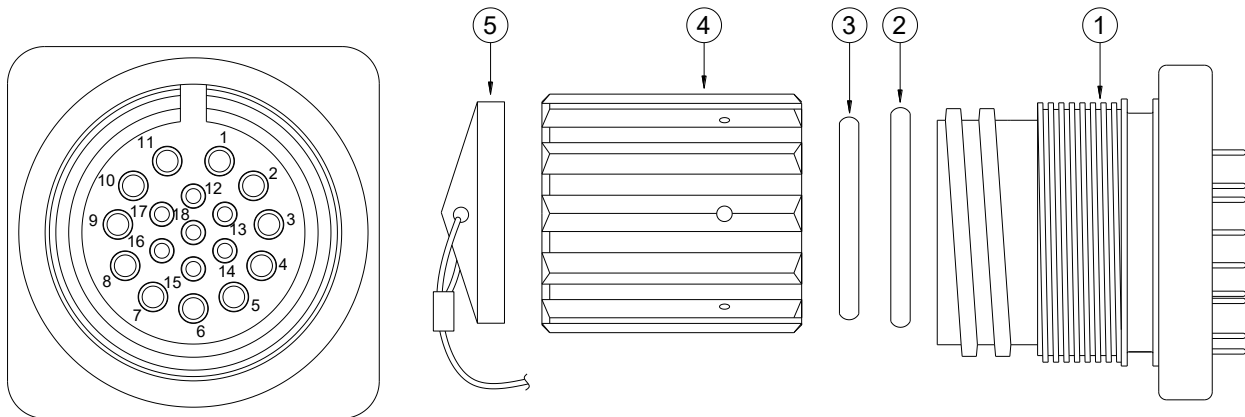


HGS (INDIA) LIMITED



SCHEMATIC

Panel Mount 18 Pin Female Power Connector



FACE VIEW

5	DUST CAP WITH WIRE ROPE & FERRULE	01 No.
4	PROTECTIVE CUP	01 No.
3	O-RING	01 No.
2	O-RING	01 No.
1	CONNECTOR PANEL MOUNT 18 SOCKET, SINGLE KEY	01 No.
S. NO.	DESCRIPTION	QTY

158, Sector-4, IMT Manesar, Gurugram-122050, Haryana, INDIA

Tel: +91 (0124) 4681800

Email: sales@hgsindia.com



HGS (INDIA) LIMITED



SPECIFICATIONS

Panel Mount 18 Pin Female Power Connector

- 18 Pin female connector (single key) for ION's XLUs (for power/battery port).
- Female connector with thread assures mating with its counterpart's coupling ring.
- Gold plated contacts to assure good electrical connection.
- Impact resistant material.
- Screw fit mating.
- Fitted with protection cap to avoid damage to its mating threads.
- Operating Temperature Range: -20°C to +70°C.
- Pressure Rating: Up to 3 bar.

Version 1.2