



HGS (INDIA) LIMITED



Vertical 408 Channel Mount Connector for A-Unit



158, Sector-4, IMT Manesar, Gurugram-122050 Haryana INDIA
Tel: +91 (0124) 4681800, Fax: +91 (0124) 4681845
Email: sales@hgsindia.com

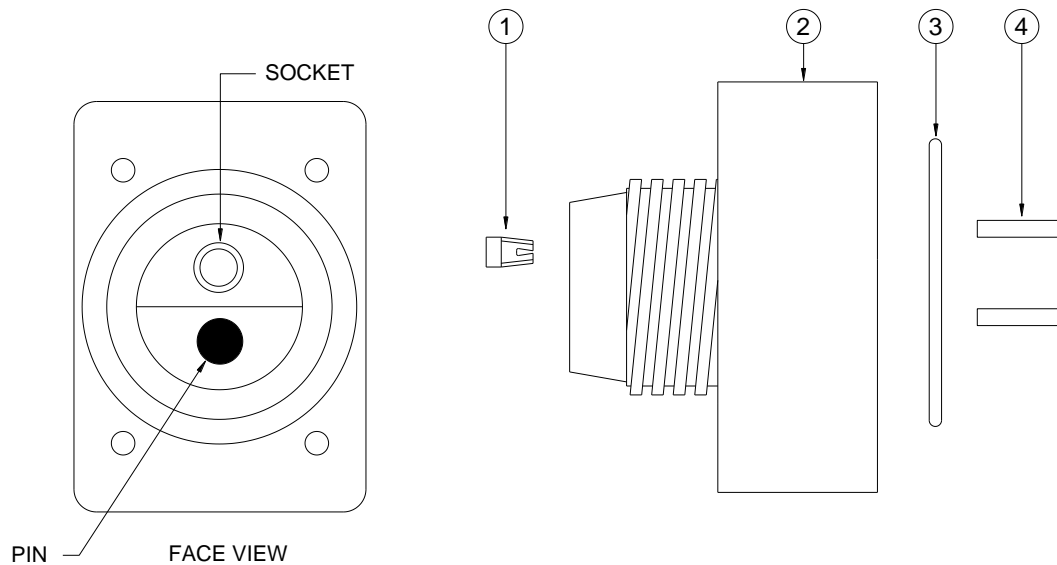


HGS (INDIA) LIMITED



SCHEMATIC

Vertical 408 Channel Mount Connector for A-Unit



4	HEAT SHRINK SLEEVE, LENGTH - 25.4MM	02 Nos.
3	O-RING	01 No.
2	CONNECTOR CH-MOUNT, 5515-2F-TH VERT., A-UNIT	01 No.
1	MIL-MAX #08	01 No.
S. NO.	DESCRIPTION	QTY



HGS (INDIA) LIMITED



SPECIFICATION

Vertical 408 Channel Mount Connector for A-Unit

- Female connector with 1 set of male & female contacts.
- Threads provided for mating with its counterpart male connector with coupling ring.
- Impact Resistant Material.
- Fitted with male dust cap.
- Screw fit mating.
- Maximum strength in rugged field conditions.
- Gold plated pins & sockets assure positive electrical connections.
- Operating Temperature Range: -20°C to +70°C.
- Pressure Rating: Up to 3 bar.

Version 1.1